

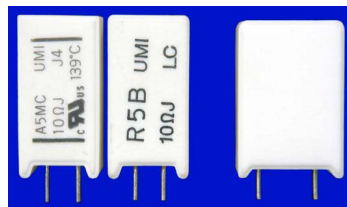
Y5JA

Model Y5JA is a thermal cutoff/resistor assembly; thermal cutoff is incorporated in 2 wire-wound-resistors in series in 1 ceramic container.

The surface ratio on a substrate can be reduced by 30% in comparison to the conventional method using both models of our "A5MC thermal cutoff/resistor assembly" and "R5B ceramic resistor" together in series.

Features

- Small size
- Low-Hight Type
- Higher surge current resistance
- Marking on the top of the case will be available to identify marks after installation.



(left) A5MC & R5B (right) Y5JA

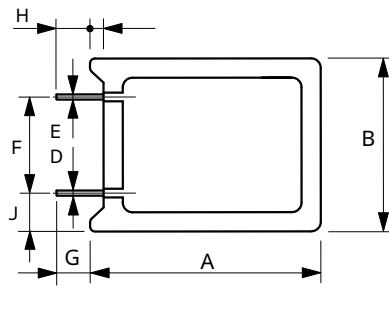


side of the case
(left) A5MC & R5B
(right) Y5JA



Top of the case

Dimensions



Dimensions (mm)			
A	B	C	D
24.0± 1.0	18.0± 1.0	10.2± 0.5	0.8± 0.05
E	F	G	H
0.8± 0.05	10.0± 0.7	3.5 ^{+0.5} ₋₀	3.5 ^{+0.5} ₋₀
	J		
1.4± 0.1	4.0± 0.8		

Rated temperature of the build-in thermal cutoff for model Y5JA

Rated Functioning Temperature	145
Holding Temperature	123
Maximum Temperature Limit	200

- Please make a contact with us on the detailed specification of this product.

TERMS

- Rated Functioning Temperature (T_f)
The acceptable tolerance is +0,-10°C except PSE. The one for PSE is ±7°C
- Holding Temperature (C-UL&CSA:Th, CCC:T_c)
The maximum temperature at which the thermal cutoffs are energized with rated current, does not open for 168 hours.
- Maximum Temperature Limit (T_m)
The maximum temperature at which an opened thermal cutoff does not reclose for 10 minutes.

Uchihashi Estec Co.,Ltd.

- Head Quarters / Overseas Sales Section
9-14,Imazu-Kita 2-chome,Tsurumi-ku,Osaka 538-0041 Japan
TEL (06)6962-6666(INT-81-6-6962-6666)
FAX (06)6962-6668(INT-81-6-6962-6668)